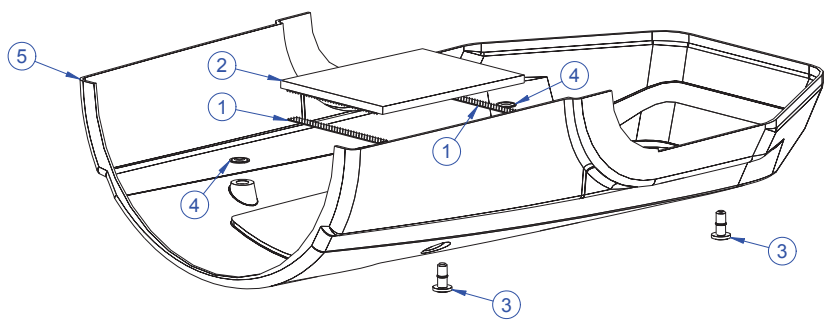
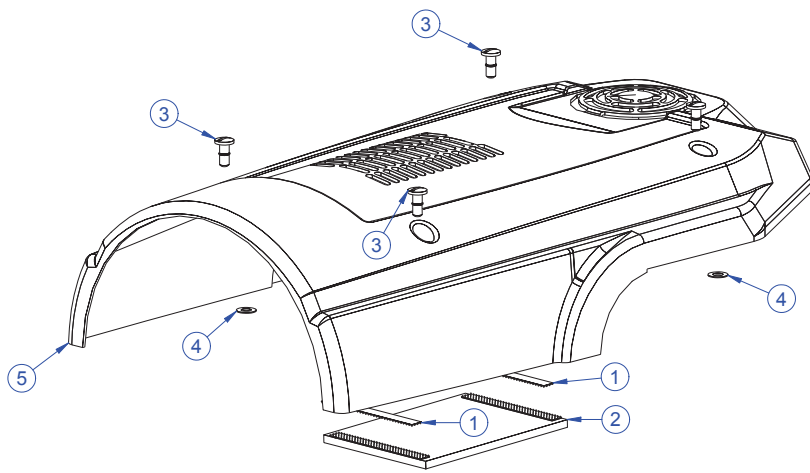
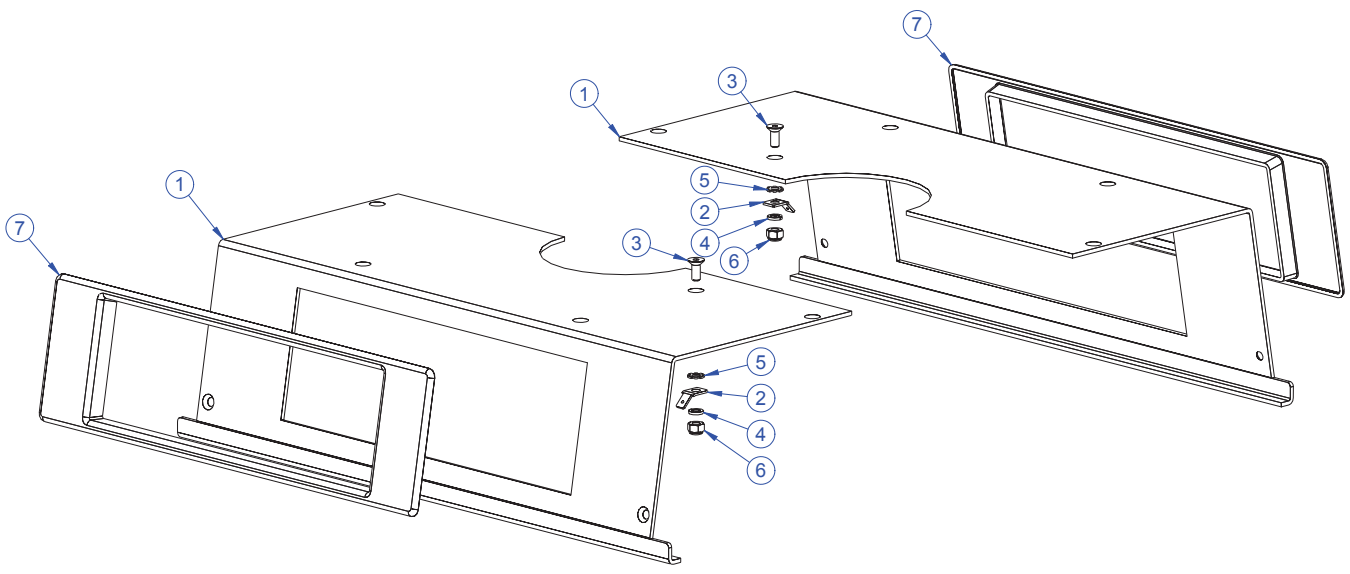


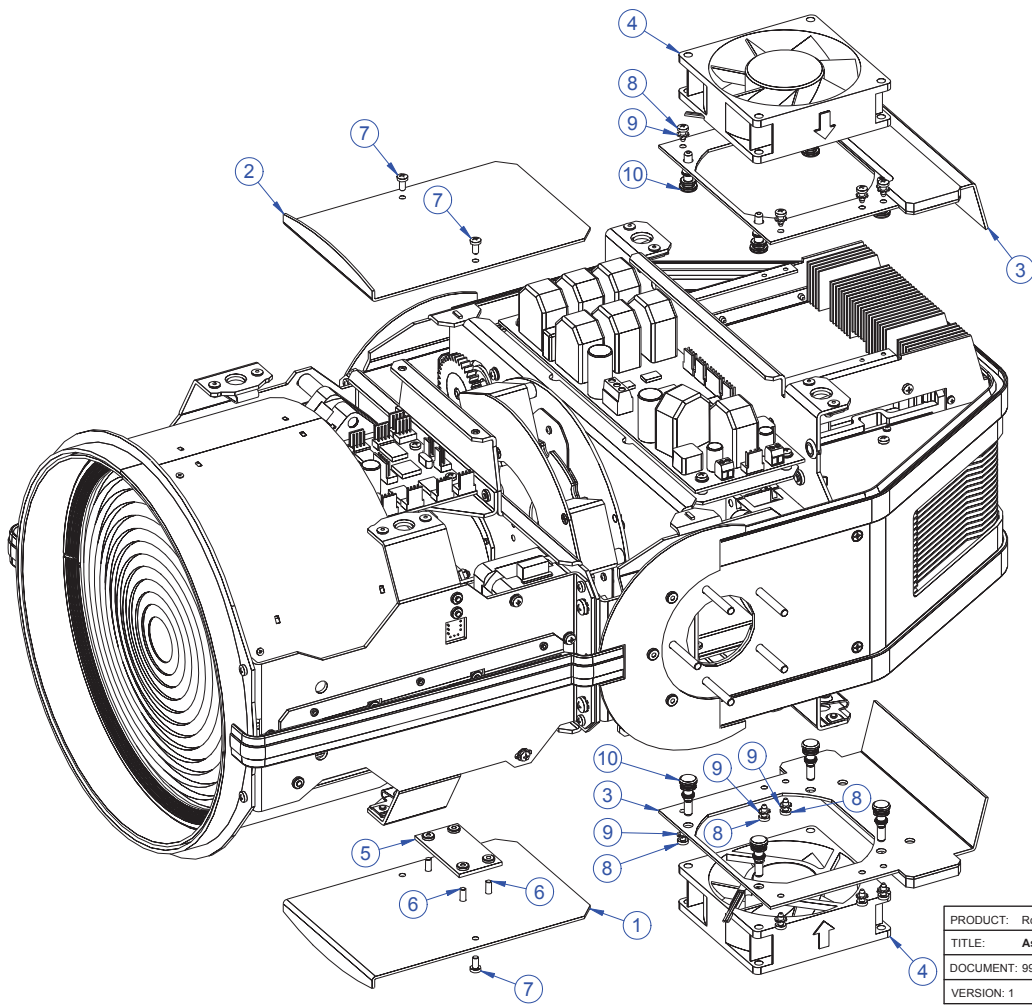
PRODUCT: Roblin DLF Wash		
TITLE: Covers		
DOCUMENT: 99013591		
VERSION: 1	DATE: 17.07.2012	SHEET: 01 OF 26



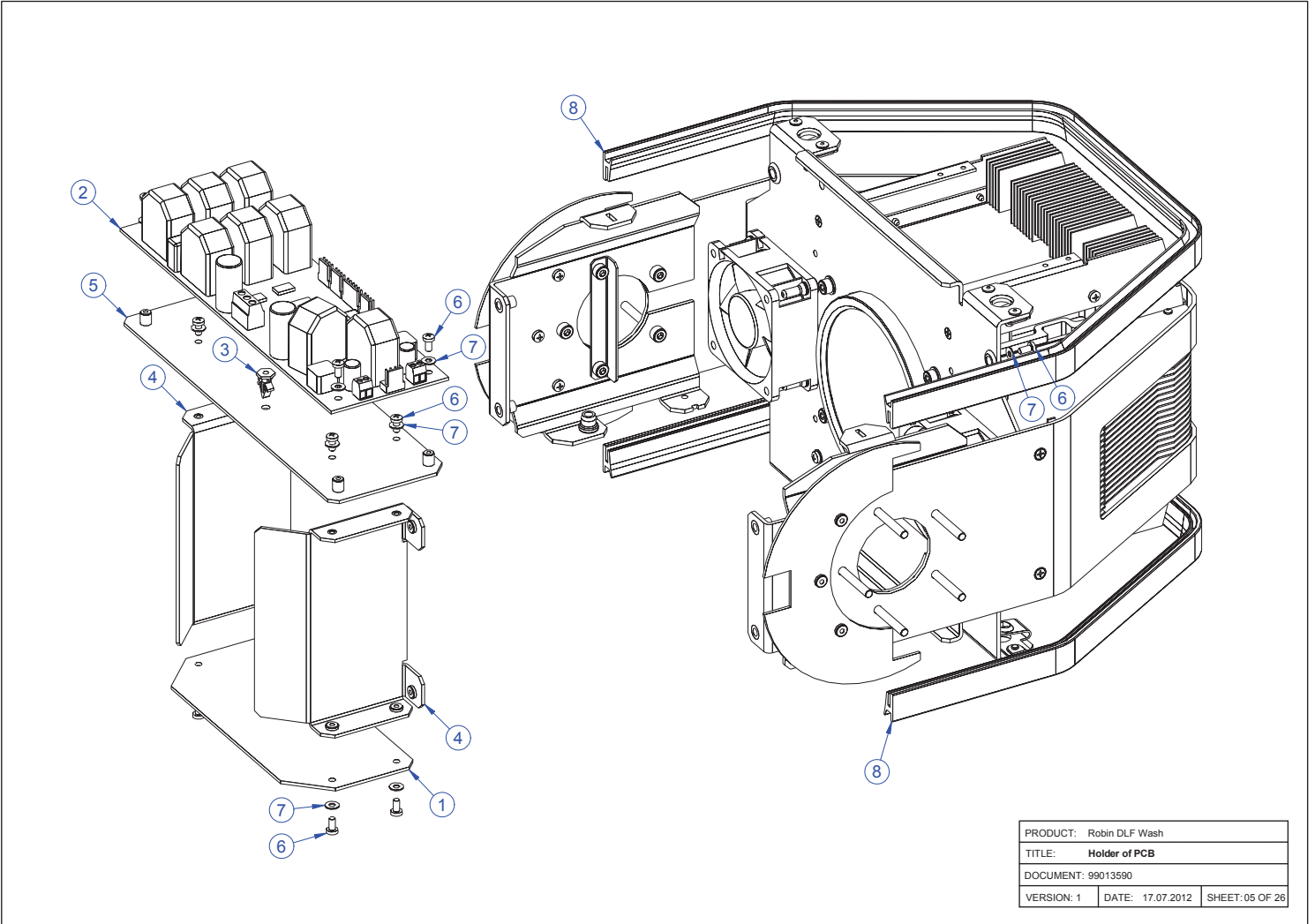
PRODUCT: Robin DLF Wash		
TITLE: Covers of head		
DOCUMENT: 99013591		
VERSION: 1	DATE: 17.07.2012	SHEET: 02 OF 26



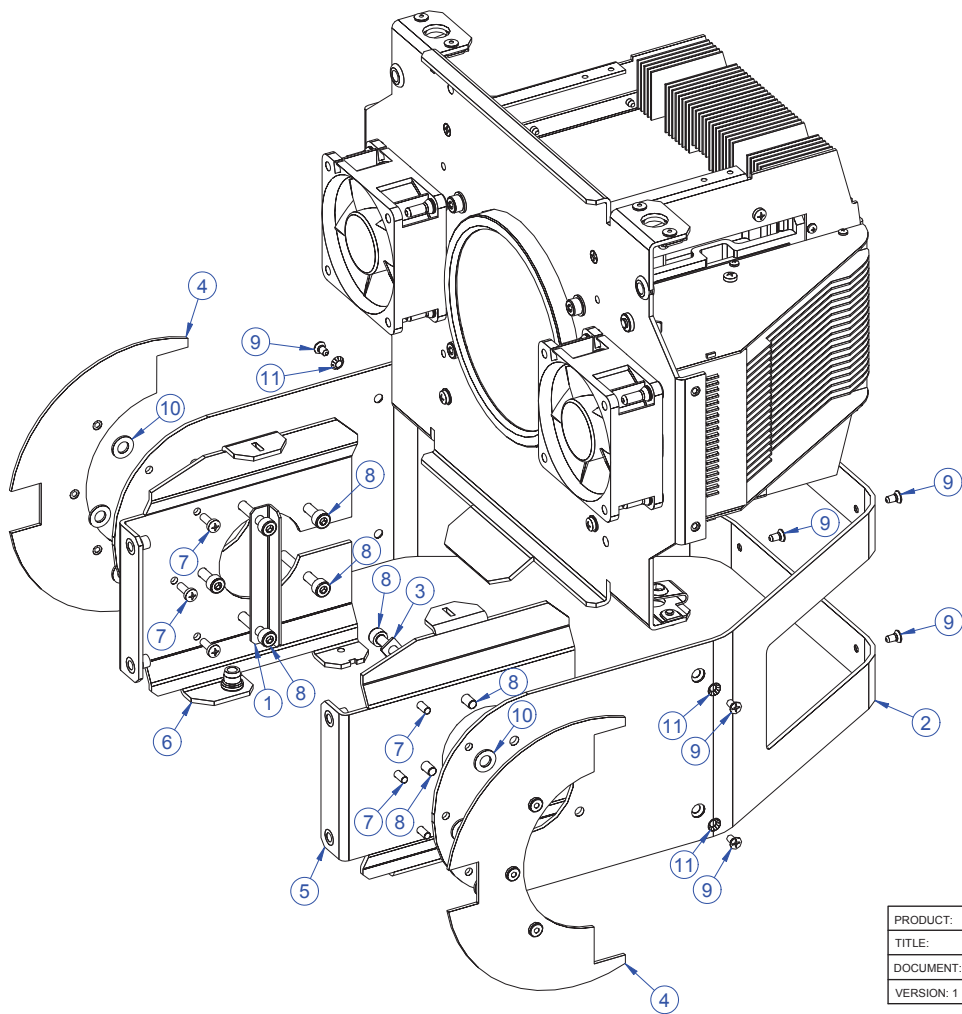
PRODUCT: Robin DLF Wash		
TITLE: Covers of base		
DOCUMENT: 99013425		
VERSION: 1	DATE: 17.07.2012	SHEET: 03 OF 26



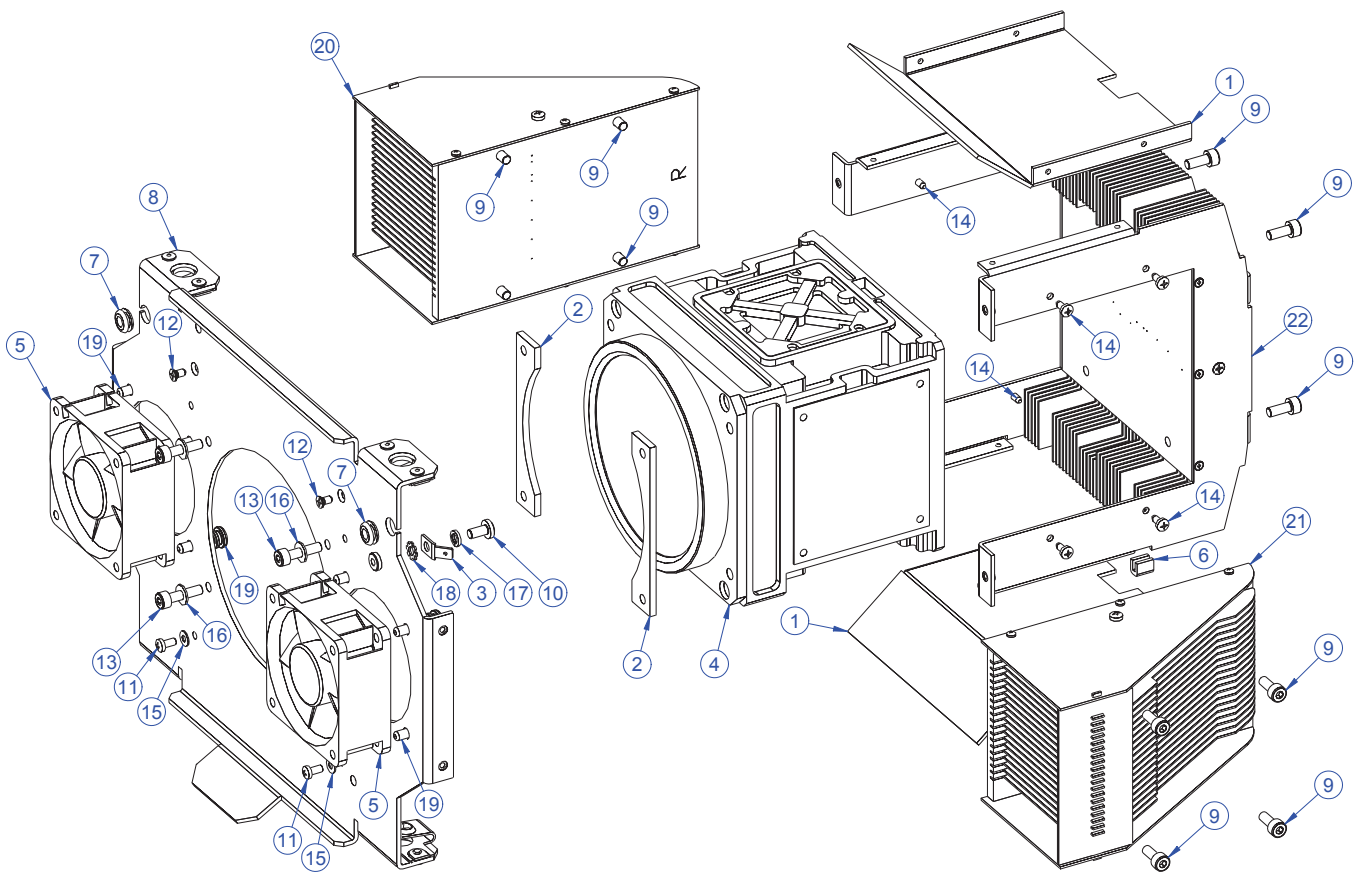
PRODUCT: Robin DLF Wash		
TITLE: Assembly of head		
DOCUMENT: 99013590		
VERSION: 1	DATE: 17.07.2012	SHEET: 04 OF 26



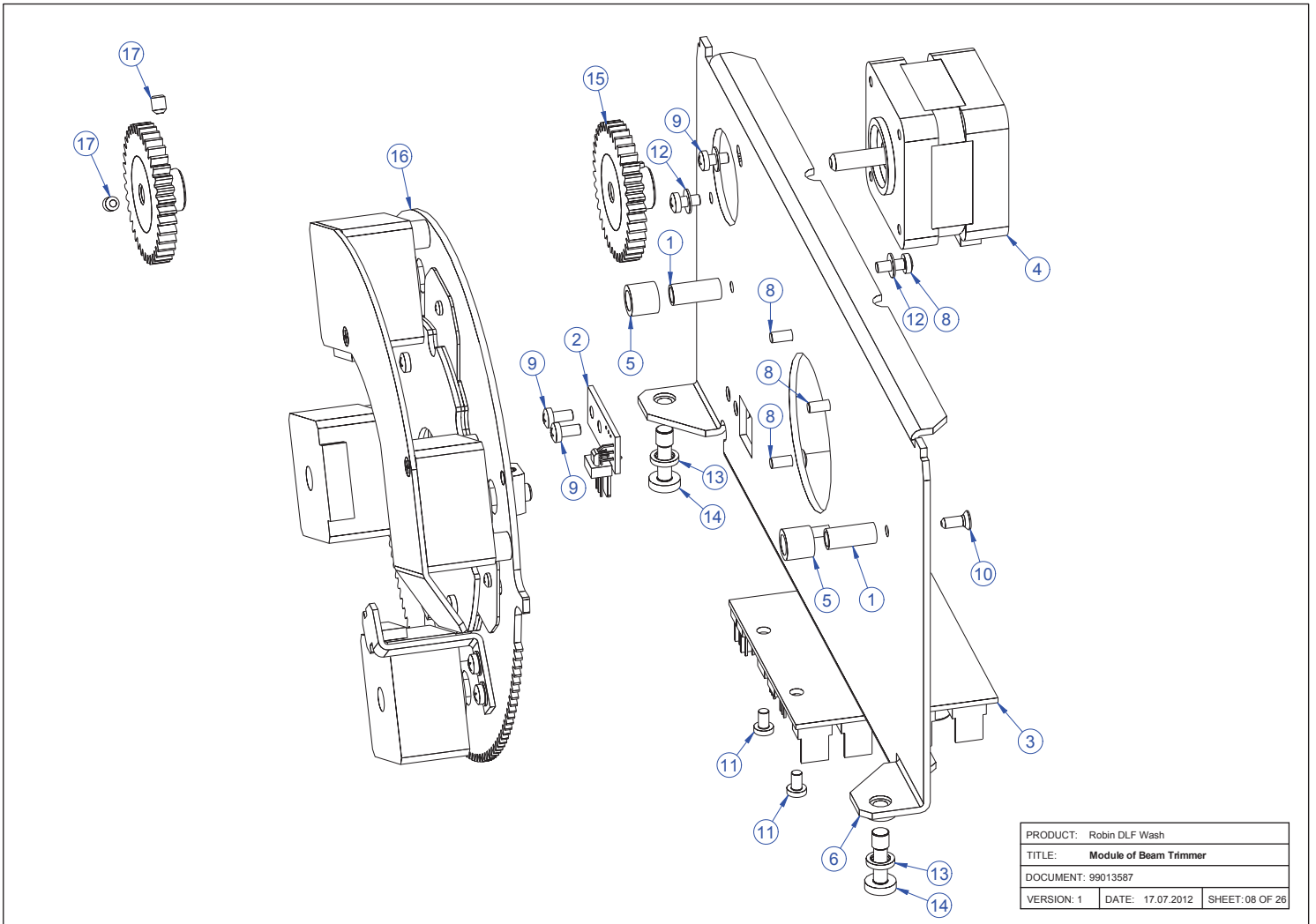
PRODUCT: Robin DLF Wash		
TITLE: Holder of PCB		
DOCUMENT: 99013590		
VERSION: 1	DATE: 17.07.2012	SHEET: 05 OF 26



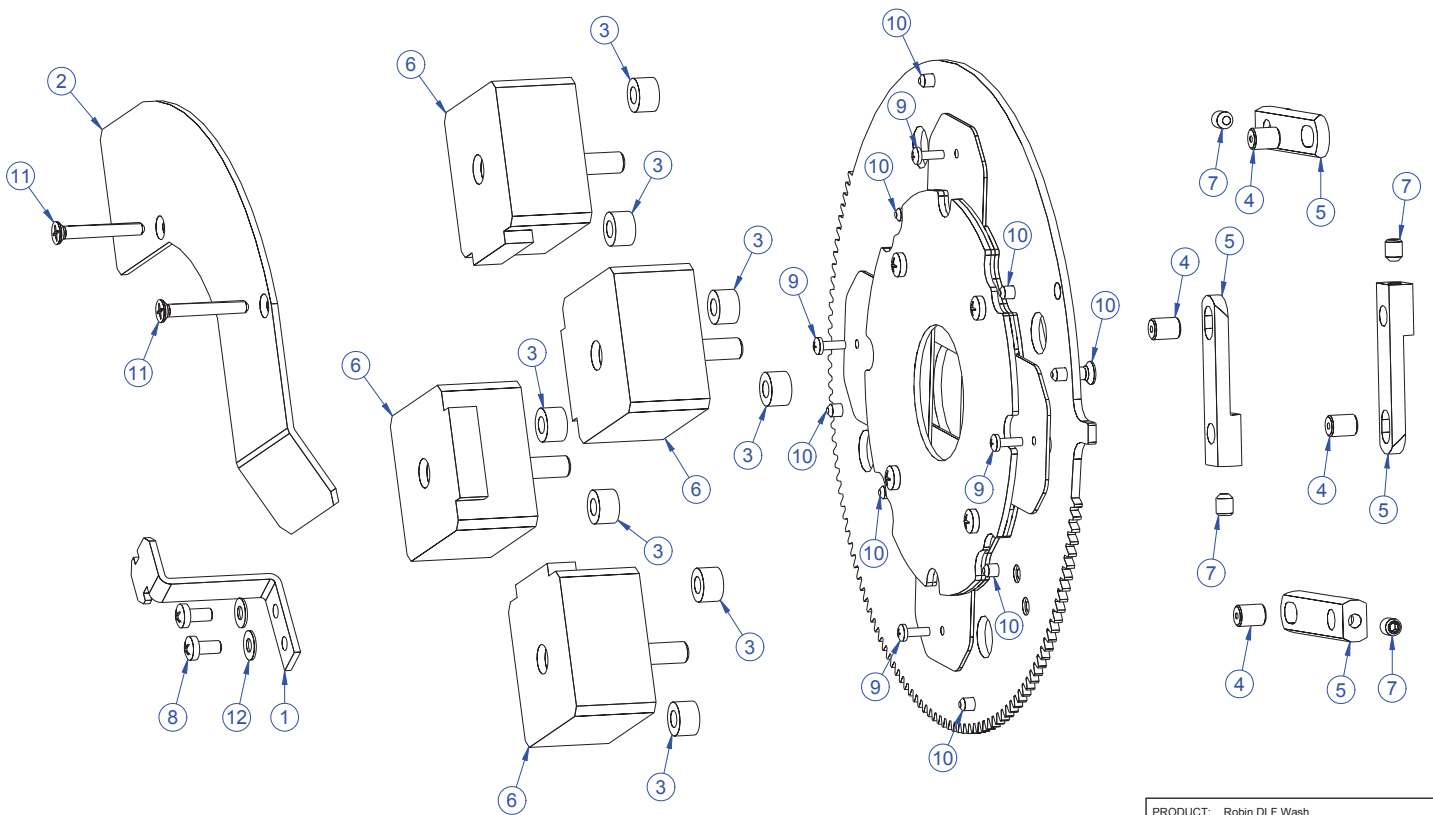
PRODUCT: Robin DLF Wash		
TITLE: Holder of module LED		
DOCUMENT: 99013590		
VERSION: 1	DATE: 17.07.2012	SHEET: 06 OF 26



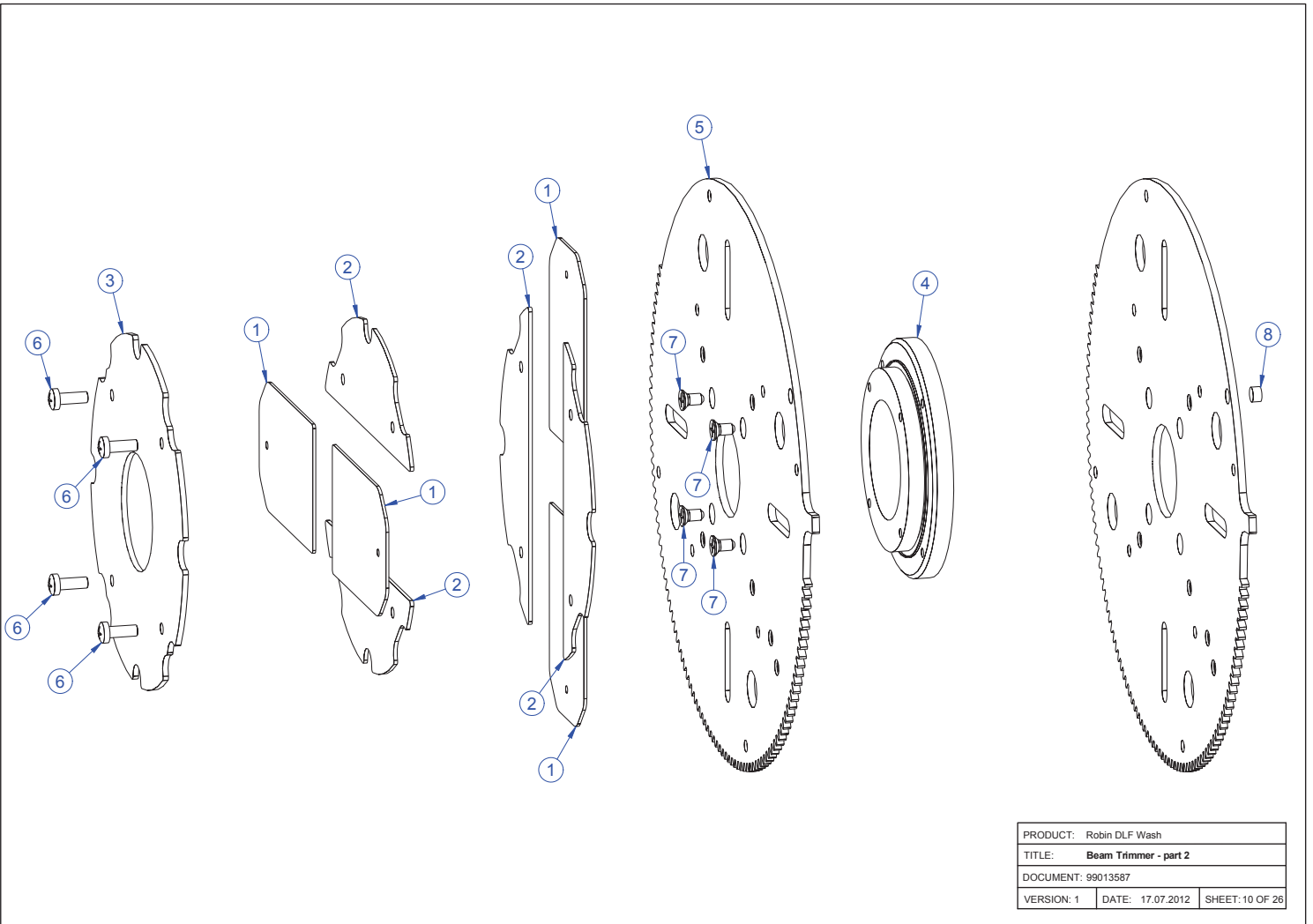
PRODUCT: Robin DLF Wash		
TITLE: Module LED - exploded		
DOCUMENT: 99013432		
VERSION: 1	DATE: 17.07.2012	SHEET: 07 OF 26



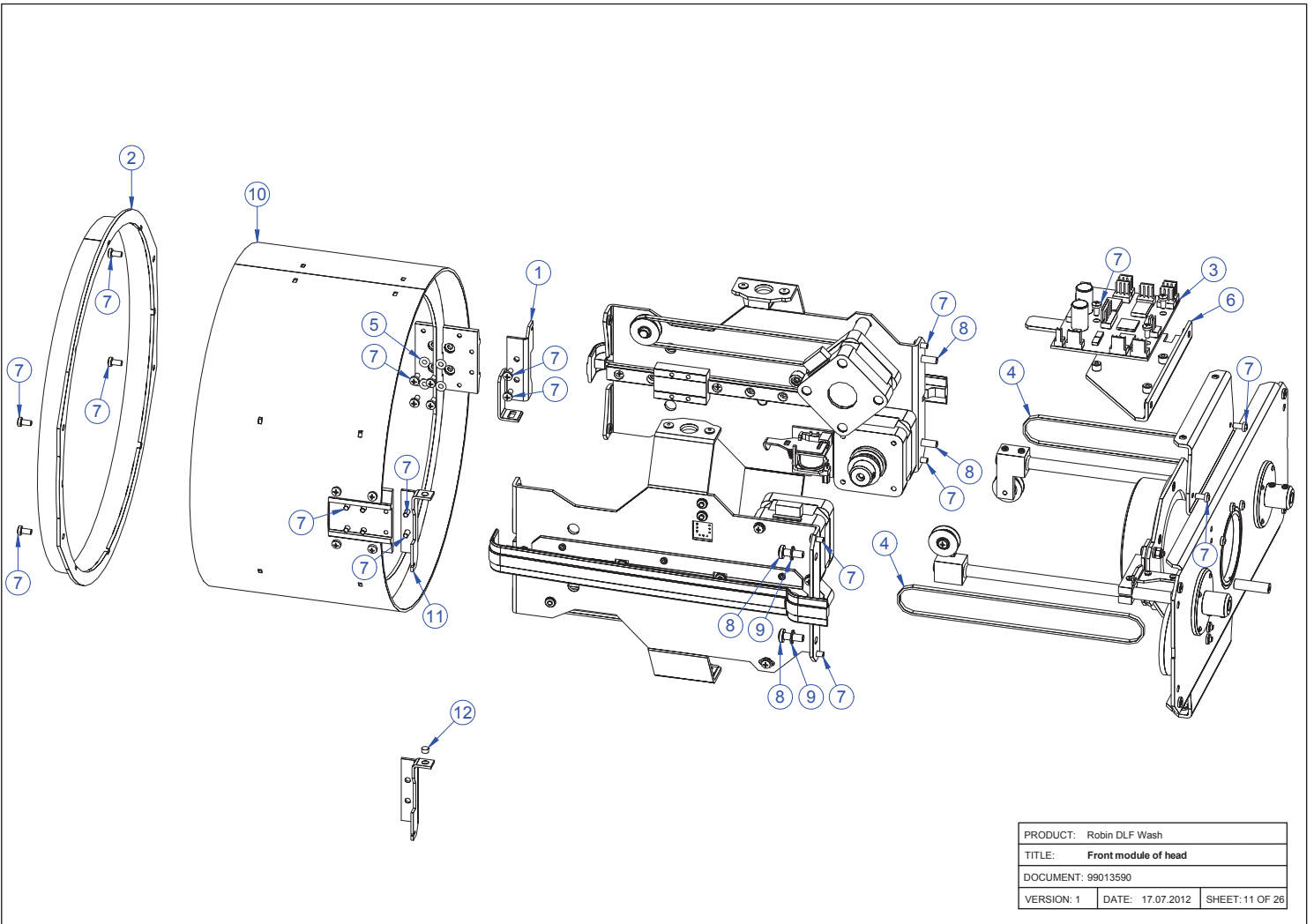
PRODUCT: Robin DLF Wash		
TITLE: Module of Beam Trimmer		
DOCUMENT: 99013587		
VERSION: 1	DATE: 17.07.2012	SHEET: 08 OF 26



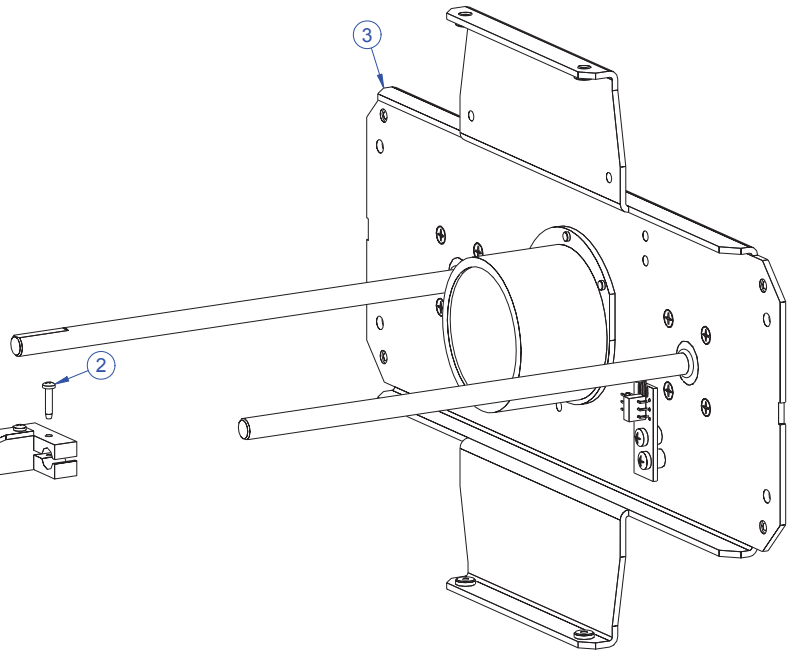
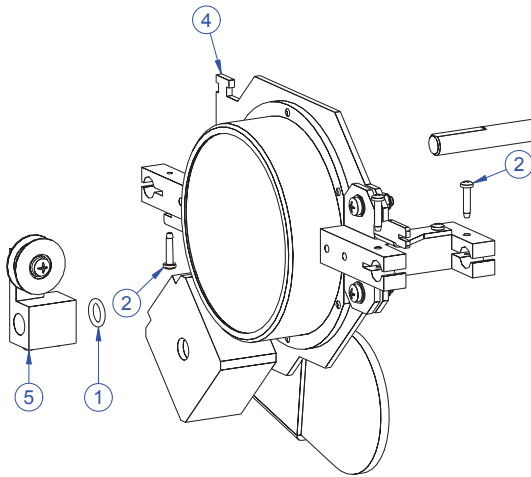
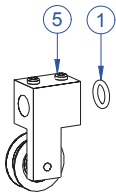
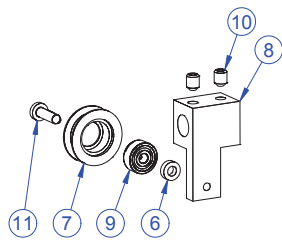
PRODUCT: Robin DLF Wash		
TITLE: Beam Trimmer - part 1		
DOCUMENT: 99013587		
VERSION: 1	DATE: 17.07.2012	SHEET: 09 OF 26



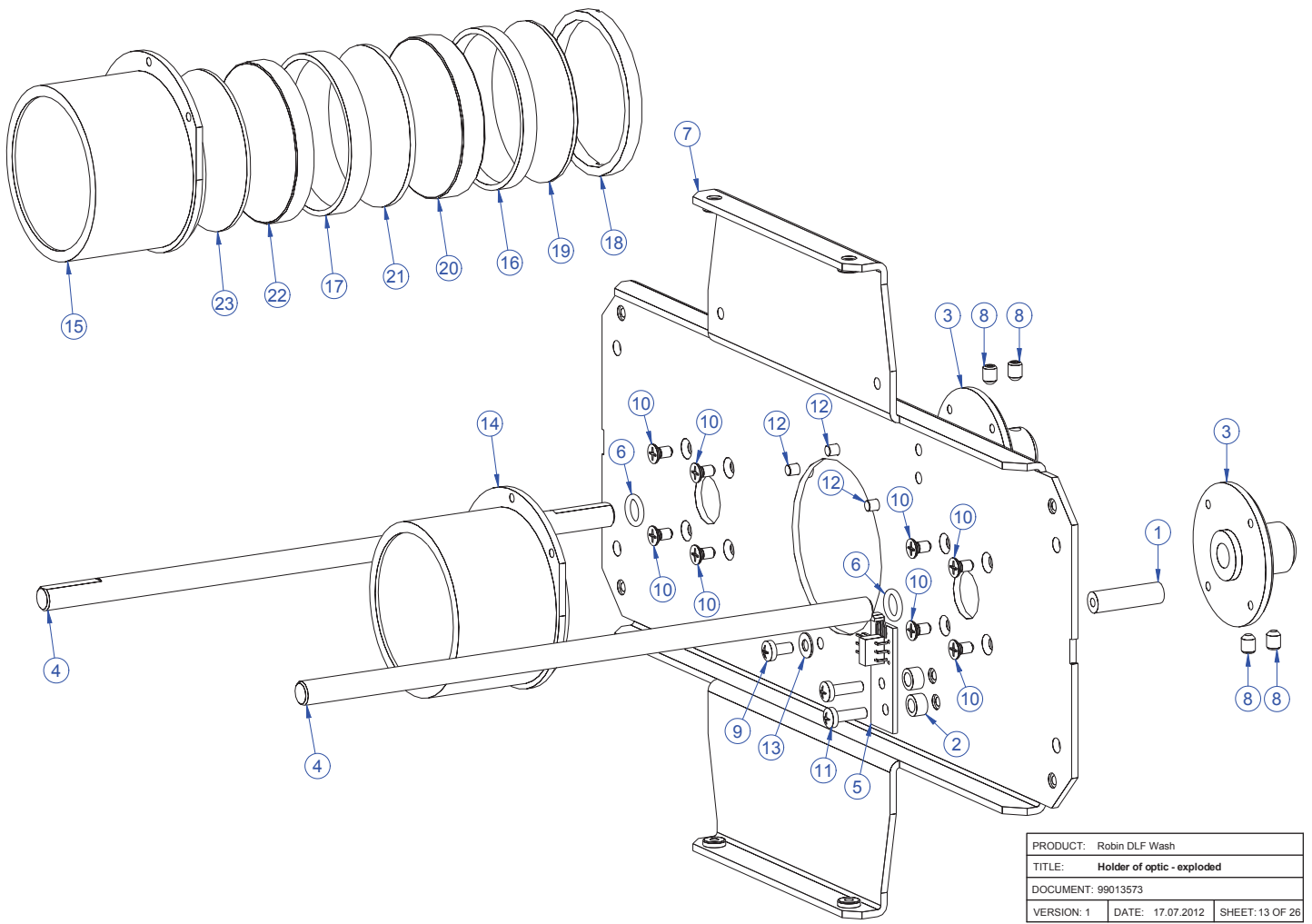
PRODUCT: Robin DLF Wash		
TITLE: Beam Trimmer - part 2		
DOCUMENT: 99013587		
VERSION: 1	DATE: 17.07.2012	SHEET: 10 OF 26



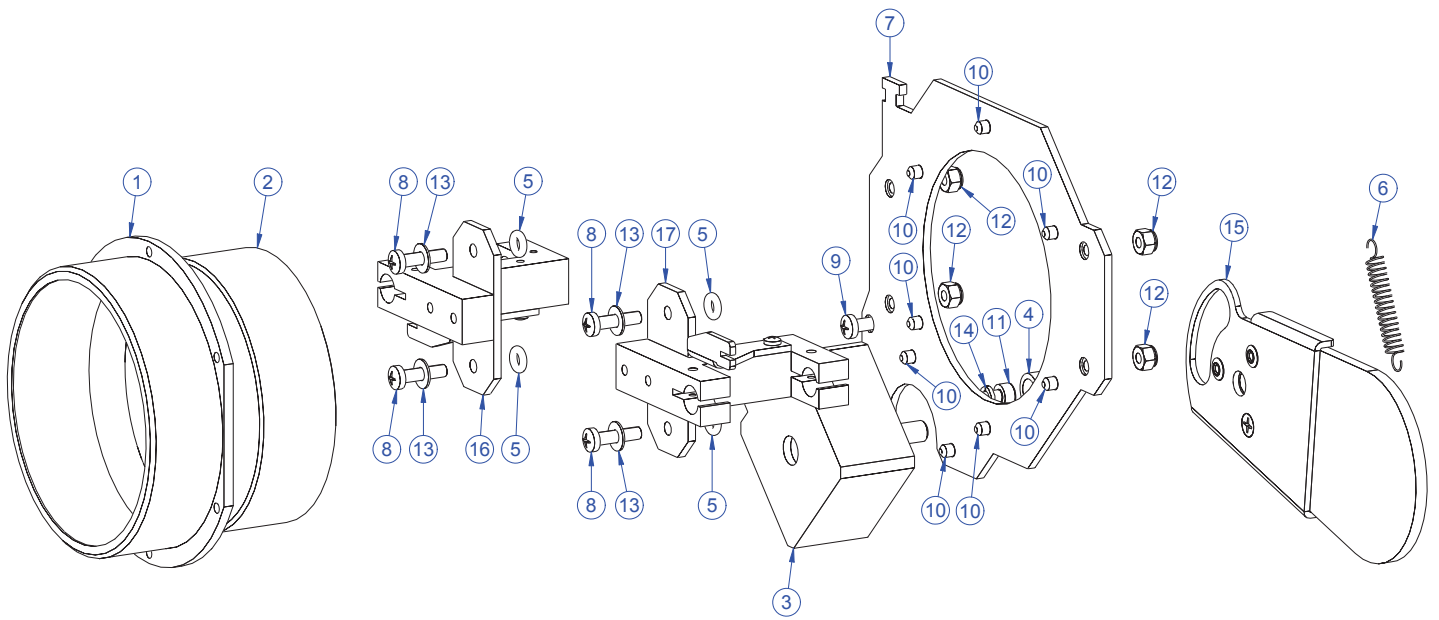
PRODUCT: Robin DLF Wash		
TITLE: Front module of head		
DOCUMENT: 99013590		
VERSION: 1	DATE: 17.07.2012	SHEET: 11 OF 26



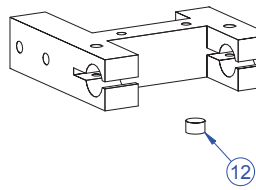
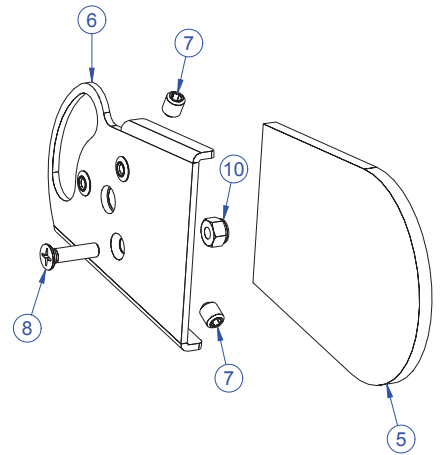
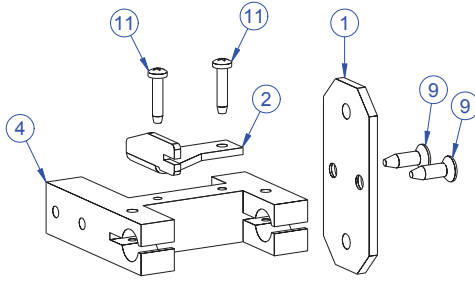
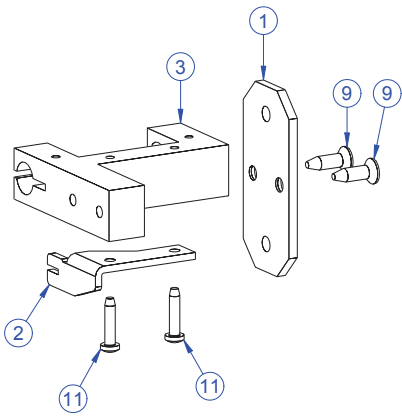
PRODUCT: Robin DLF Wash		
TITLE: Module of optic		
DOCUMENT: 99013580		
VERSION: 1	DATE: 17.07.2012	SHEET: 12 OF 26



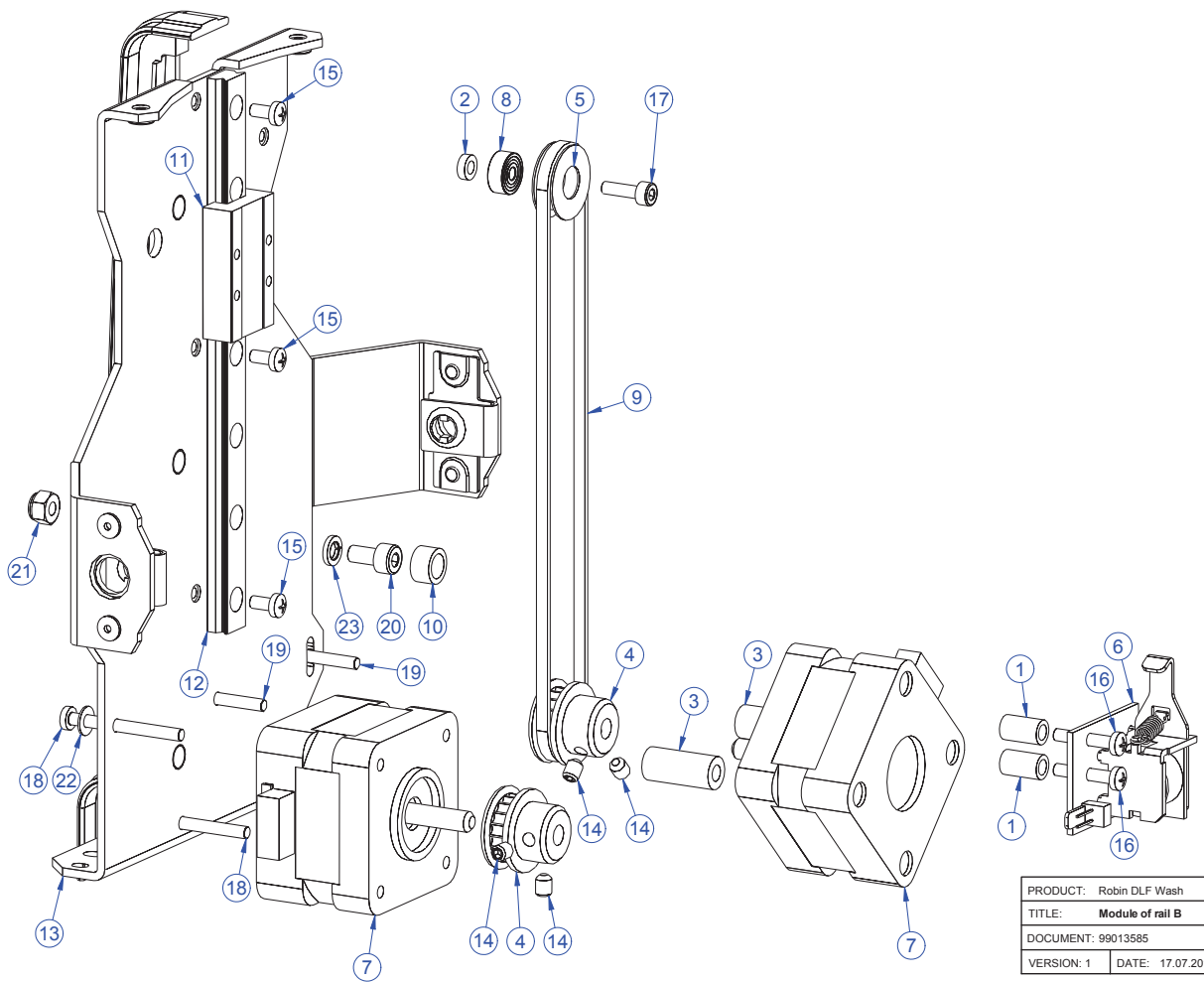
PRODUCT: Robin DLF Wash		
TITLE: Holder of optic - exploded		
DOCUMENT: 99013573		
VERSION: 1	DATE: 17.07.2012	SHEET: 13 OF 26



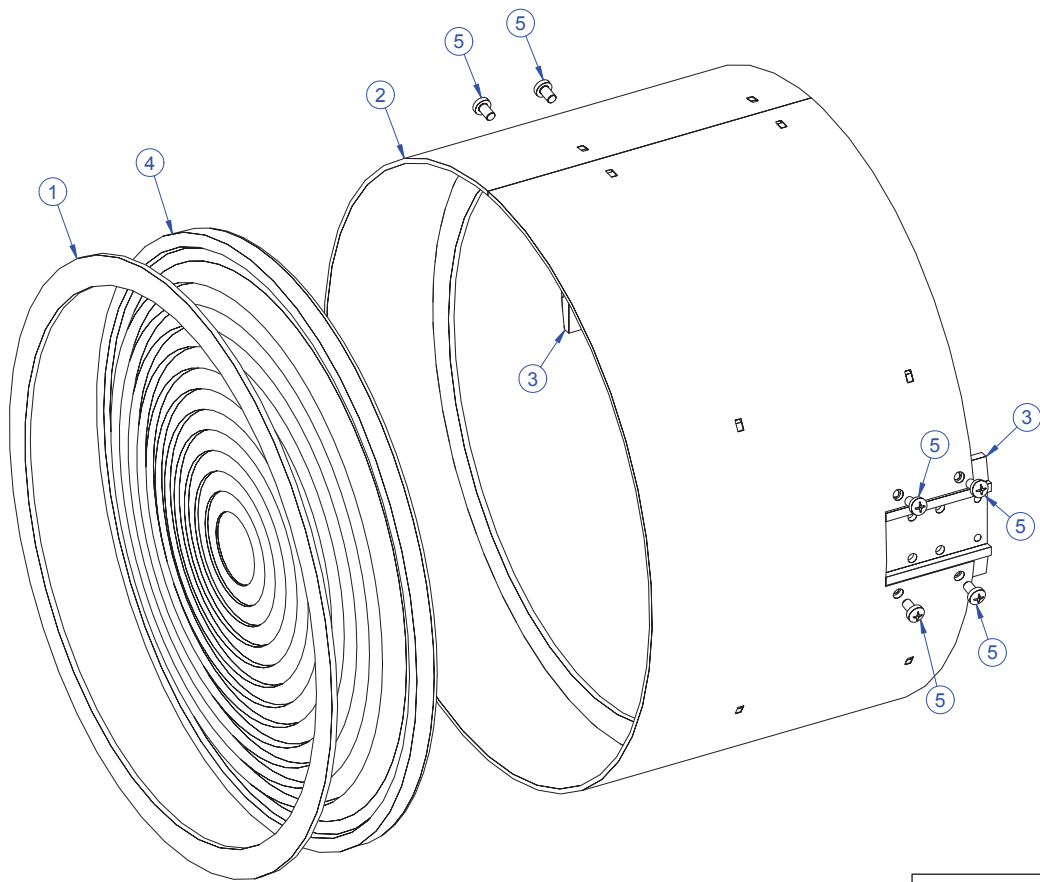
PRODUCT: Robin DLF Wash		
TITLE: Module of Zoom and Frost		
DOCUMENT: 99013578		
VERSION: 1	DATE: 17.07.2012	SHEET: 14 OF 26



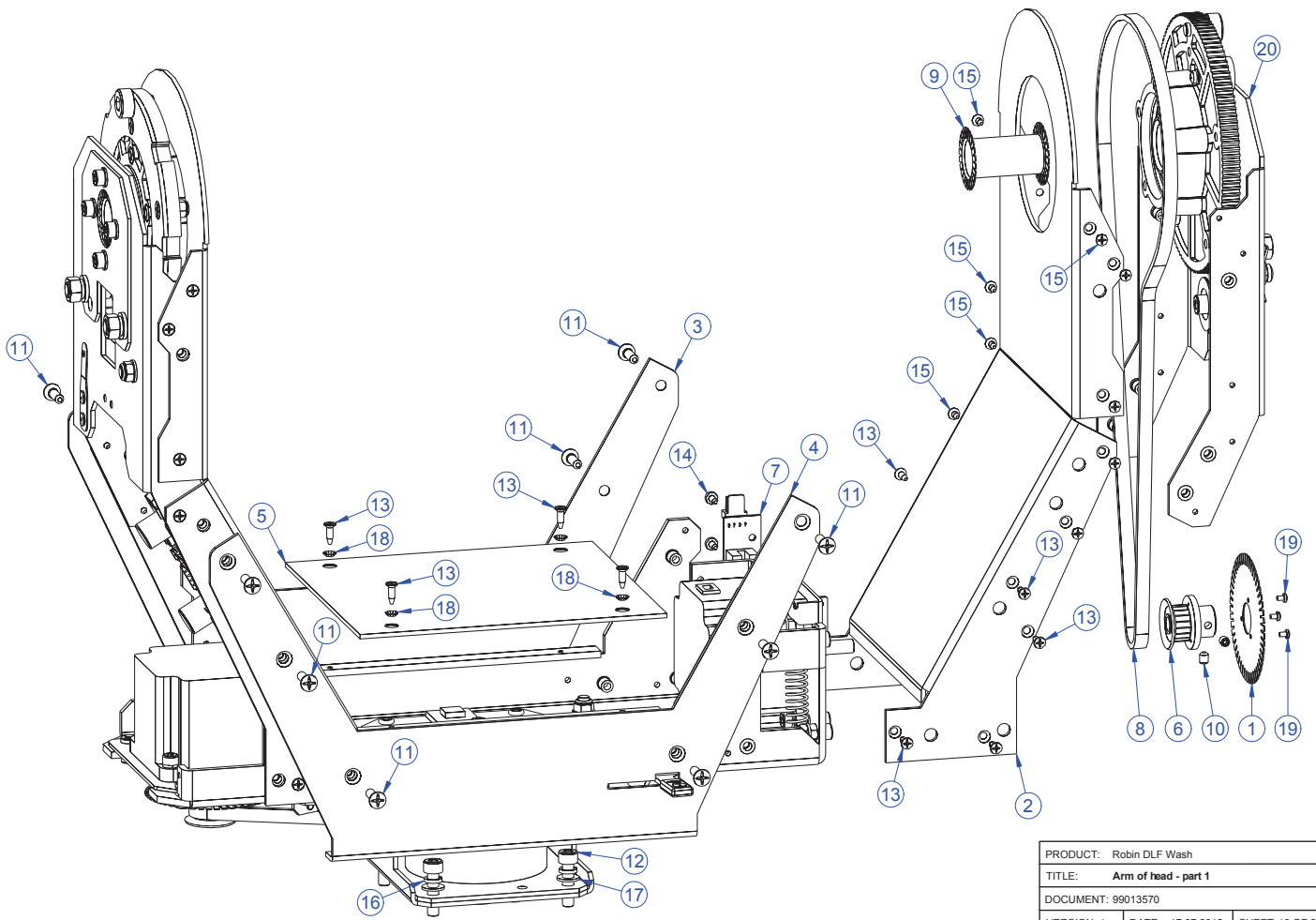
PRODUCT: Robin DLF Wash		
TITLE: Frost/Module of spacer of optic - exploded		
DOCUMENT: 99013578		
VERSION: 1	DATE: 17.07.2012	SHEET: 15 OF 26



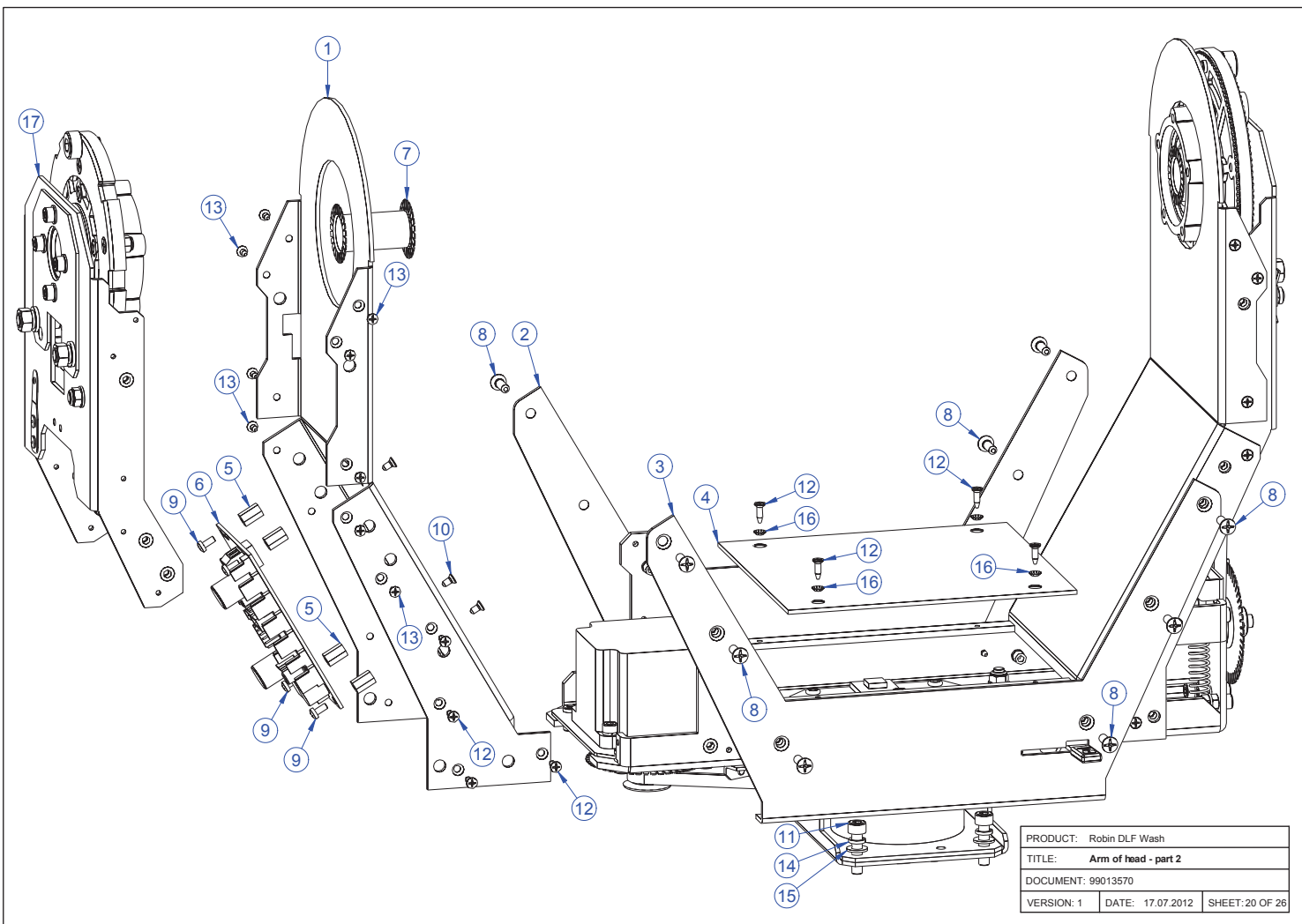
PRODUCT: Robin DLF Wash		
TITLE: Module of rail B		
DOCUMENT: 99013585		
VERSION: 1	DATE: 17.07.2012	SHEET: 17 OF 26

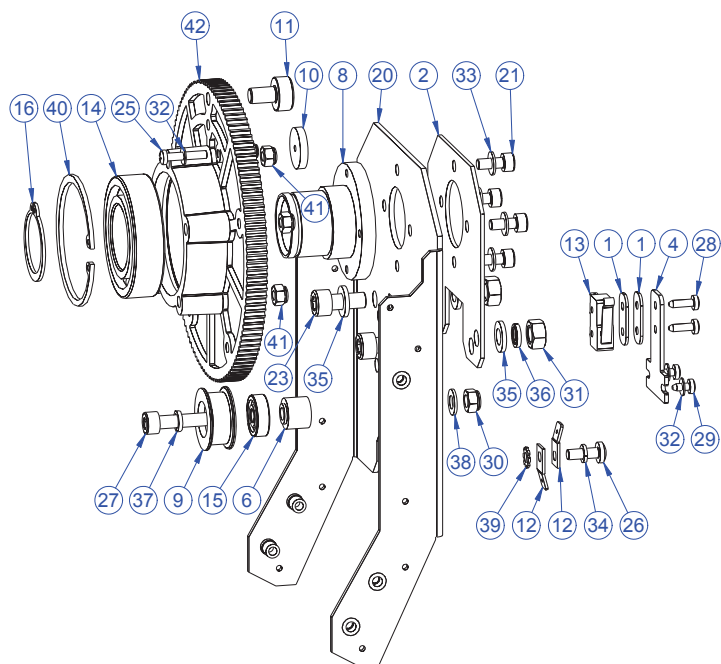
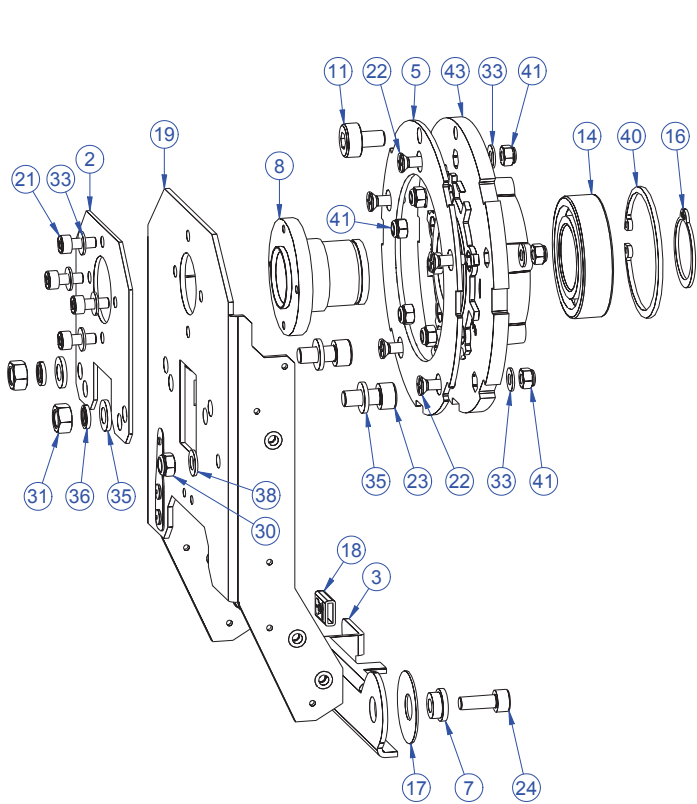


PRODUCT: Robin DLF Wash		
TITLE: Module of Fresnel		
DOCUMENT: 99013583		
VERSION: 1	DATE: 17.07.2012	SHEET: 18 OF 26

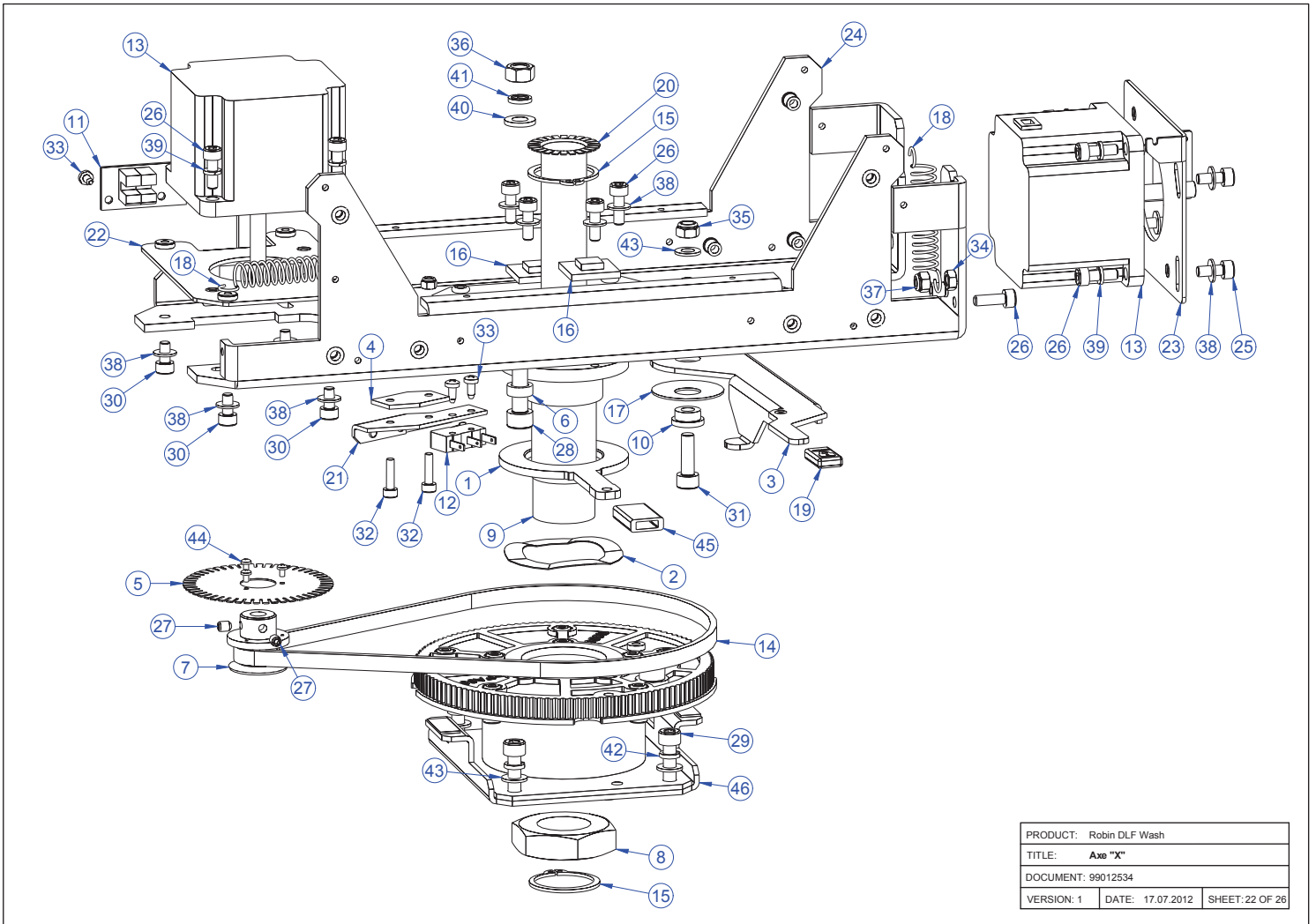


PRODUCT: Robin DLF Wash		
TITLE: Arm of head - part 1		
DOCUMENT: 99013570		
VERSION: 1	DATE: 17.07.2012	SHEET: 19 OF 26

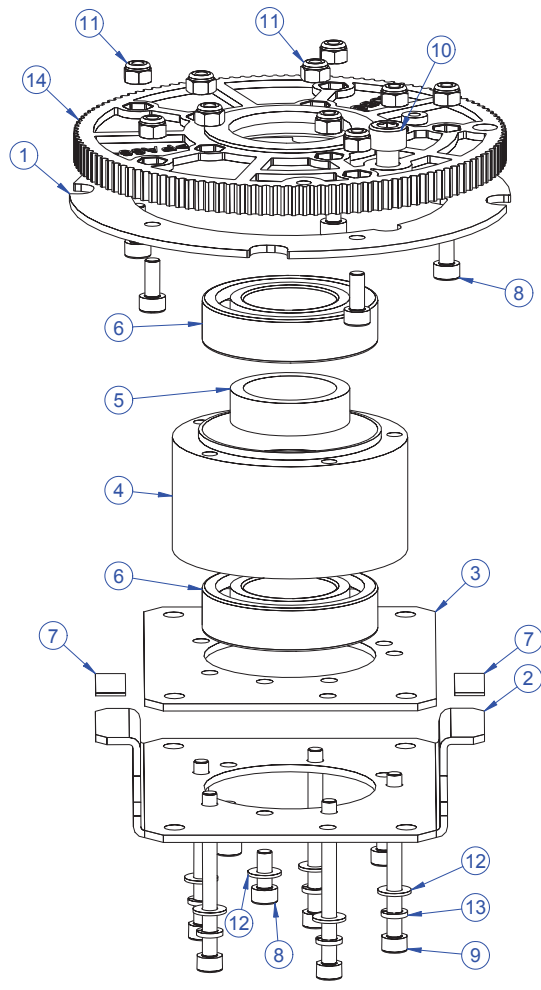




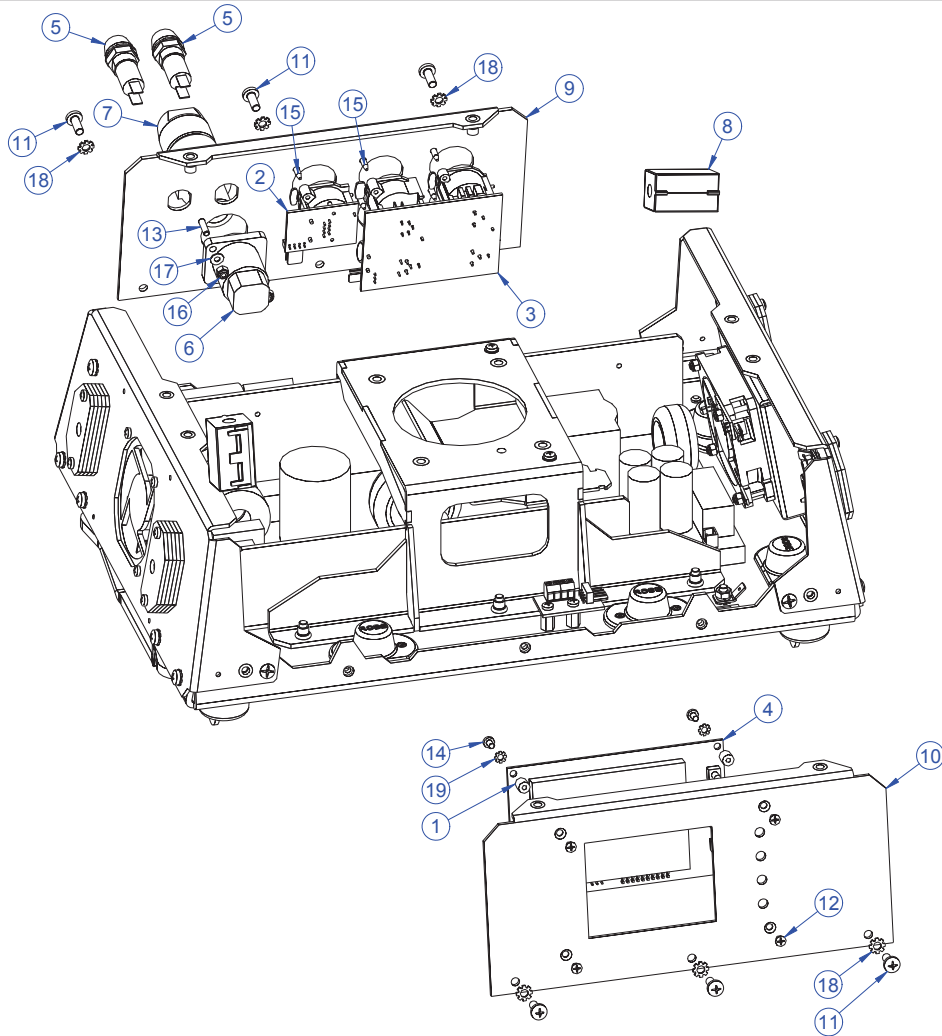
PRODUCT: Robin DLF Wash		
TITLE: Arm of axe "Y"		
DOCUMENT: 99013570		
VERSION: 1	DATE: 17.07.2012	SHEET: 21 OF 26



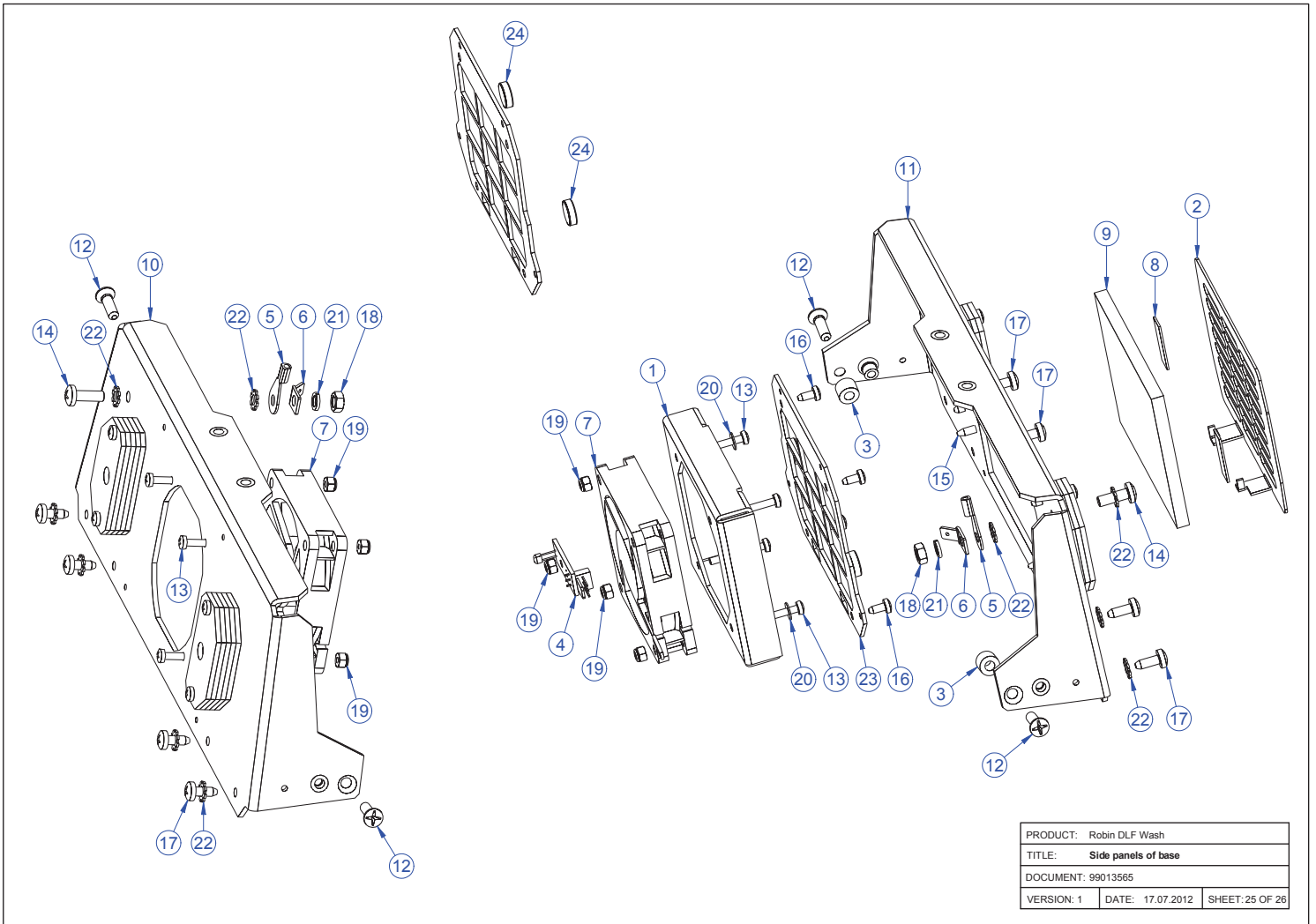
PRODUCT: Robin DLF Wash		
TITLE: Axe "X"		
DOCUMENT: 99012534		
VERSION: 1	DATE: 17.07.2012	SHEET: 22 OF 26

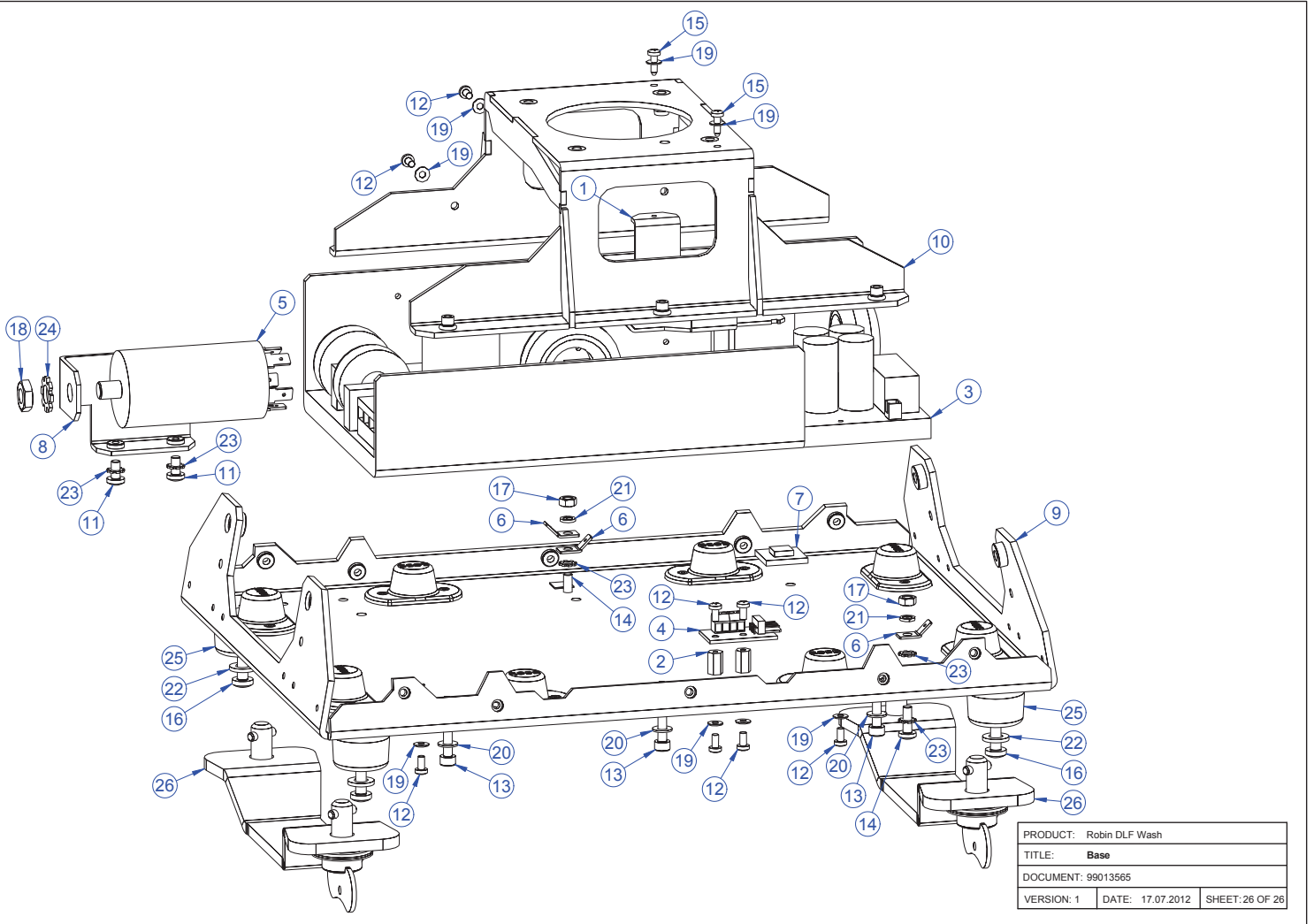


PRODUCT: Robin DLF Wash		
TITLE: Holder of toothwheel		
DOCUMENT: 99012533		
VERSION: 1	DATE: 17.07.2012	SHEET: 23 OF 26



PRODUCT: Robin DLF Wash		
TITLE: Front and rear panel of base		
DOCUMENT: 99013565		
VERSION: 1	DATE: 17.07.2012	SHEET: 24 OF 26





PRODUCT: Robin DLF Wash		
TITLE: Base		
DOCUMENT: 99013565		
VERSION: 1	DATE: 17.07.2012	SHEET: 26 OF 26